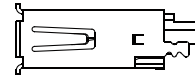
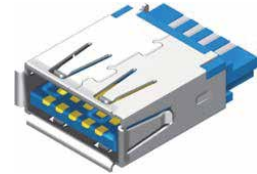
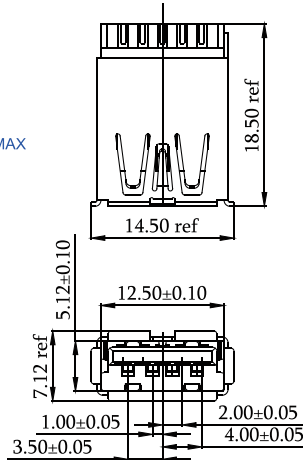


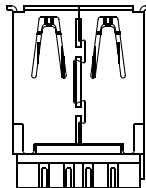
USB 3.0 Female Solder A Type

1.MECHANICAL:
 MATING: 35N MAX.
 WITHDRAWAL: 10N MIN.
 DURABILITY: 1500 CYCLES MIN.

2.ELECTRICAL:
 CURRENT: 100mA MAX
 VOLTAGE: 20mV MAX
 WITHSTANDING VOLTAGE: 100V AC
 CONTACT RESISTANCE: 30 mΩ MAX/50mΩ MAX
 INSULATION RESISTANCE: 1000MΩ MIN



| ITEM | PART NAME | Q'TY | Material |
|------|-----------|------|--------------------|
| 1 | HOUSING | 1 | PBT+30%GF,BLUE |
| 2 | COVER | 1 | PBT+30%GF,BLUE |
| 3 | SHELL | 1 | C2680R-H,Ni80μ'MIN |
| 4 | CONTACT1 | 4 | C5191,GOLD 15U' |
| 5 | CONTACT2 | 5 | C2680,GOLD 15U' |



Part No.:USB-FS-AU-3.0-L